

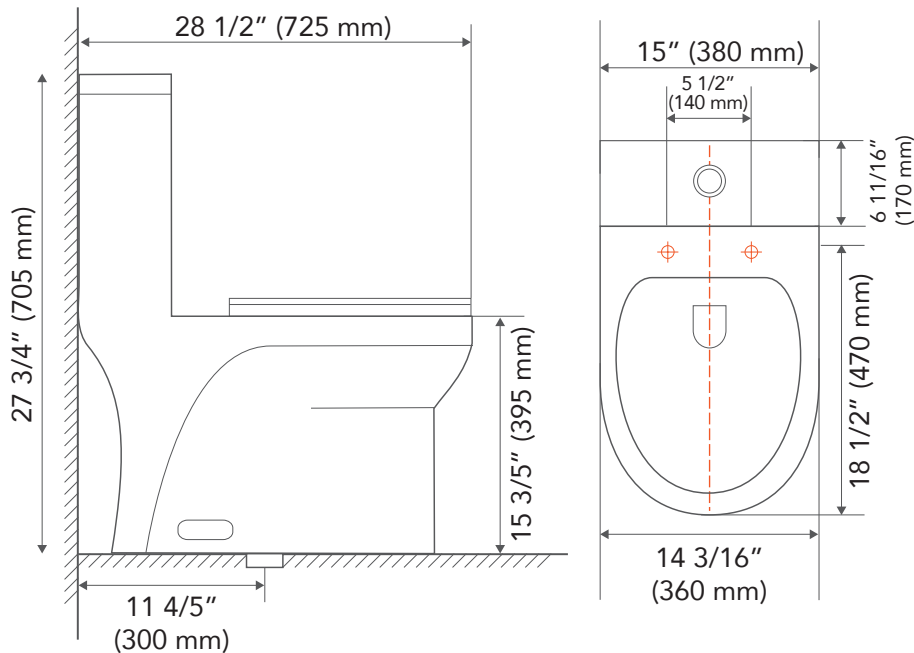


PL-12050 - Elongated Toilet



Specifications:

- 28 1/2" x 15" x 27 3/4"
- High-efficiency dual flush (1.6 GPF / 0.8 GPF)
- Sleek one-piece design
- 11 4/5" Rough-in
- 2" fully glazed trapway
- Soft close seat cover
- Includes all hardware necessary for installation
- Limited Lifetime Warranty.



Included:

