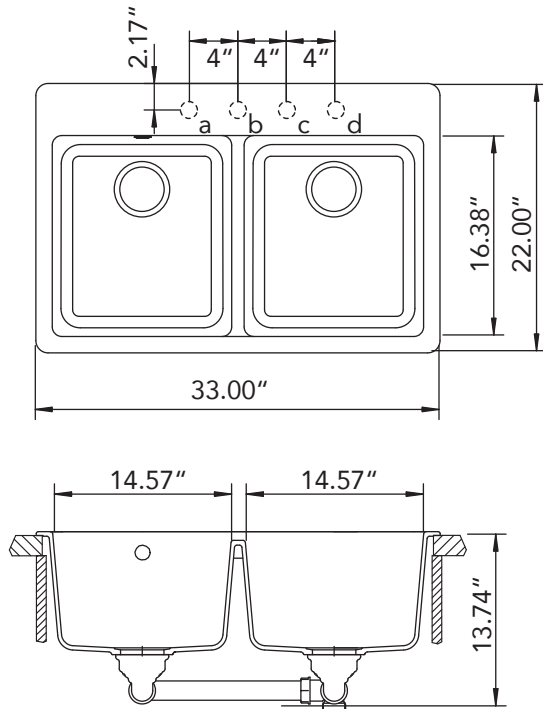


CRYSTALLITE SERIES™
PELICAN
 GRANITE COMPOSITE SINKS



PL-200 - Granite Composite Sink

The PL-200 granite composite single bowl sink is made with 85% pure quartz, the hardest constituent of granite coupled with a high grade acrylic binder. Manufactured exclusively in Germany, our Crystallite Series granite composite sinks are all made from long-life, environmentally sound materials. The PL-200 can be used for either top mount or under mount installation and features a natural antibacterial hygiene protection system that uses natural silver ions to reduce bacterial growth.

- **Overall Size:** 33" x 22" x 13.74"
- **Left & Right Bowl:** 14.57" x 16.38" x 9.45"
- **Drain Opening:** 3 1/2"
- **Installation:** Topmount or Undermount

Available Colors



The Crystallite Series Granite Composite Sinks carry a limited lifetime warranty for as long as the original purchaser owns the home the sink was originally installed in.



PART: _____ **QTY:** _____

PROJECT: _____

CONTACT: _____

DATE: _____

NOTES: _____

APPROVAL: _____